

# Installation Instructions

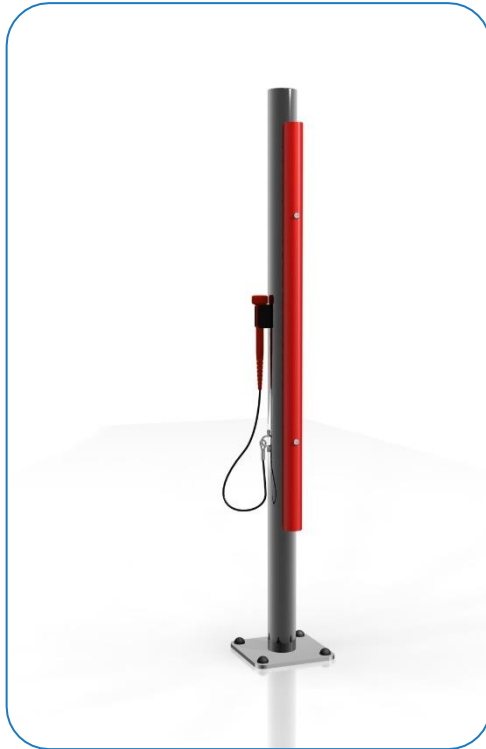
Surface Fixed  
Calypso Chimes  
Page 1 of 4



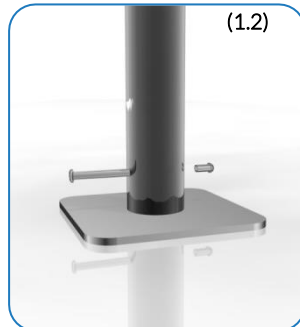
## Instrument Components:

-  x4  
M6x20 Security Screw
-  x1  
M6 Saddle Strap
-  x2  
M6 Square Nut
-  x1  
Beater Holder

Metric Conversion:  
1510mm/ 59"  
1.5m/ 59"



Weight of heaviest part 7.5kg



1. Instrument will arrive on site fully assembled. **(1.1)**  
(See Assembly Guide)

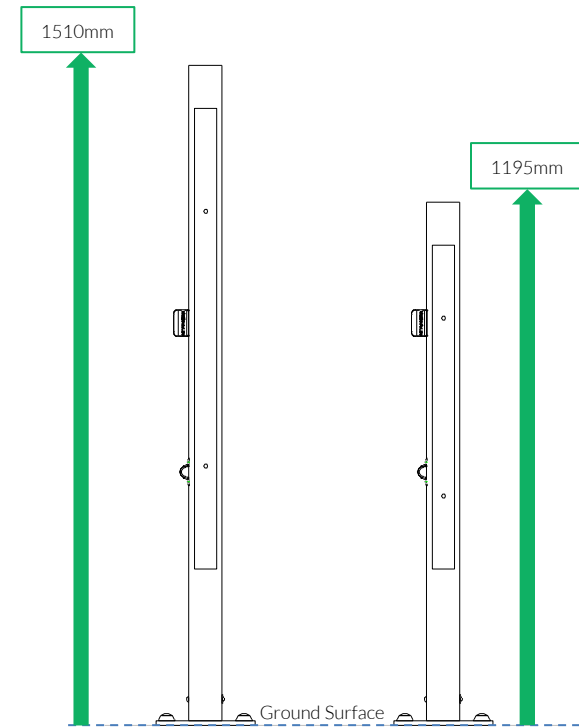
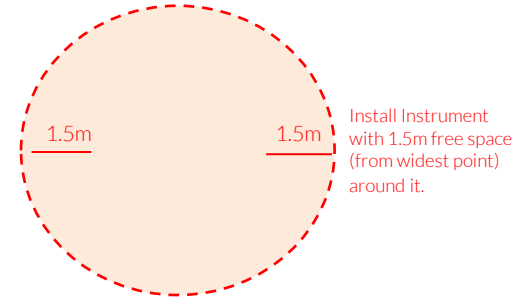
2. Attach Surface Fixing posts to legs. **(1.2)** (See Surface Fix Post Installation Sheet)

3. **Locate Plate** in desired location and mark holes to fix to desired surface.

4. Fix to Surface using recommended ground anchors not supplied.

5. Make sure all fixings are covered and secure using cover caps provided.

6. Attach the holder, beater and the saddle strap on side of the post. **(1.3)**



Single Small Red Beaters X1

Surface Fix Components:

-  x1
-  x1



Spares available from  
[percussionplay.com](http://percussionplay.com) or from your local distributor

10 Kg

Tools:

TX 30 Driver Bit x1  
TX 45 Driver Bit x2

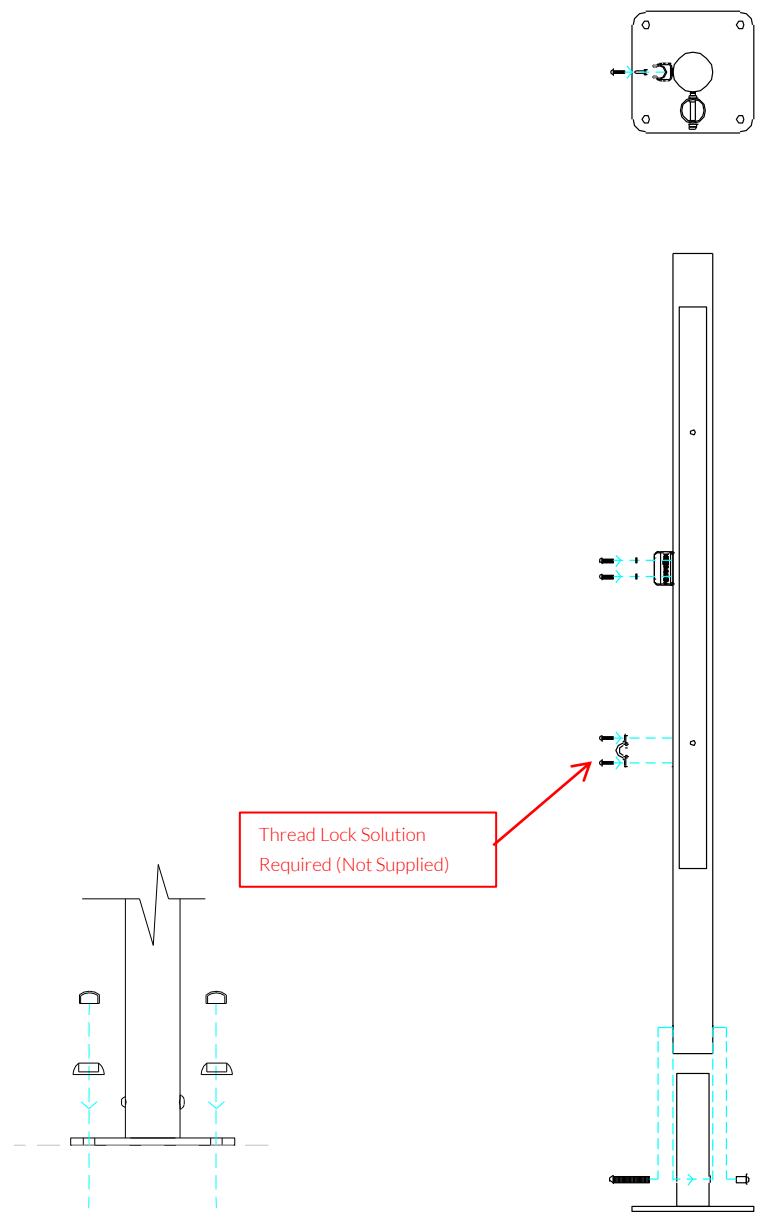
## Surface Fixed Calypso Chimes Page 2 of 4



### Instrument Components:

- x4  
M6x20 Security Screw
- x1  
M6 Saddle Strap
- x2  
M6 Square Nut
- x1  
Beater Holder

Thread Lock Solution  
Required (Not Supplied)



- COMPONENTS LIST:
- 2 Part Cover Cap X4
  - Saddle Strap X2
  - M6x20 Pin torx X4
  - M10x70 Pin torx X1
  - M10 Barrel Nut Pin torx X1
  - M6 Square Nut X2
  - Beater Holder X1

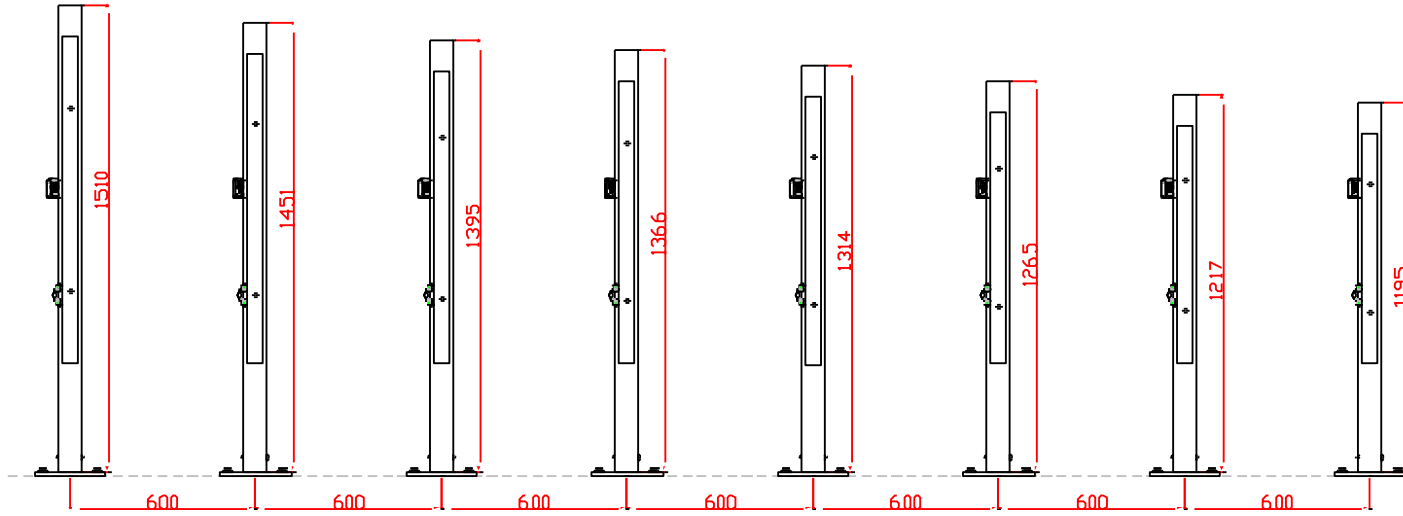
Single Small Red Beaters X1

- Surface Fix Components:
- x1
  - x1

Spares available from [percussionplay.com](http://percussionplay.com) or from your local distributor

10 Kg

## Diatonic Set of 8



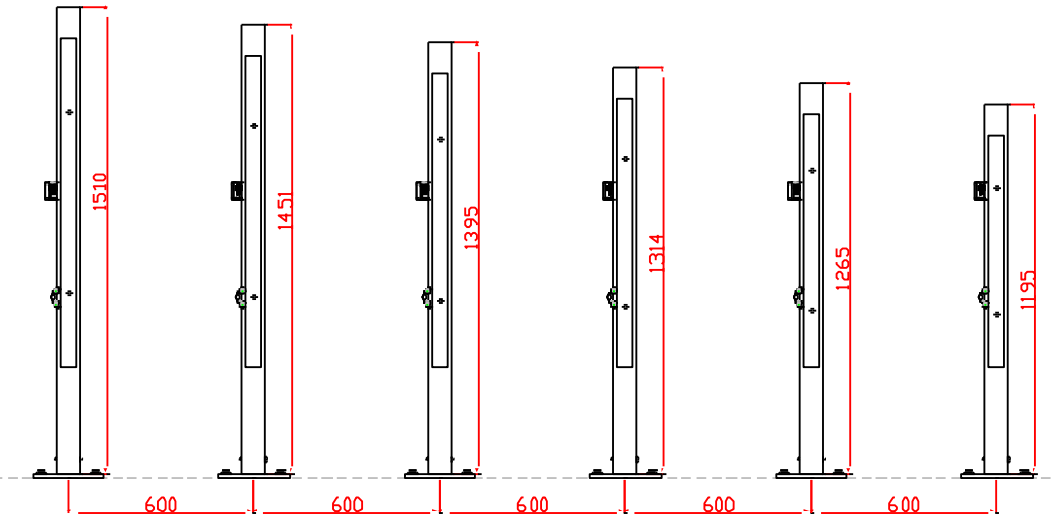
Surface Fixed  
Calypso Chimes  
Page 3 of 4



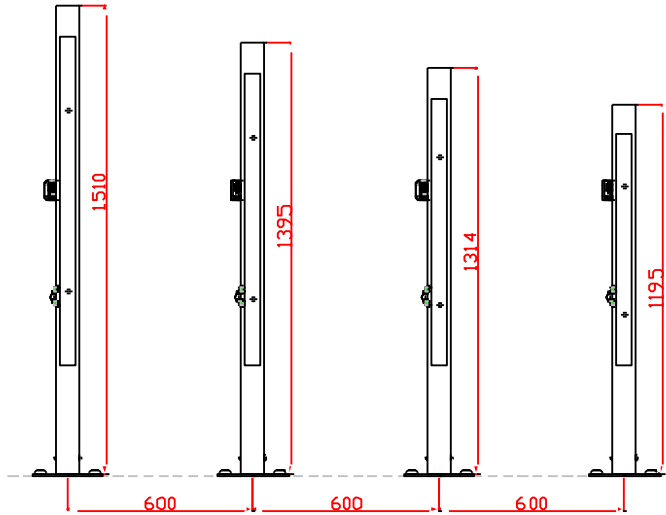
### Instrument Components:

-  x4
-  x1
-  x2
-  x1

## Pentatonic Set of 6

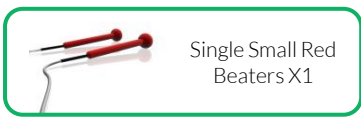


## Pentatonic Set of 4



600mm min spacing

Thread Lock Solution  
Required (Not Supplied)



### Surface Fix Components:

-  x1
-  x1



Spares available from  
[percussionplay.com](http://percussionplay.com) or from your  
local distributor

10 Kg

Surface Fixed  
Calypso Chimes  
Page 4 of 4



Components:



x1

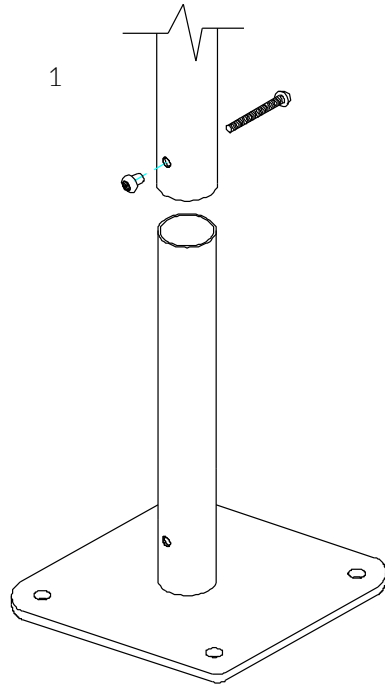
M10 Barrel Nut



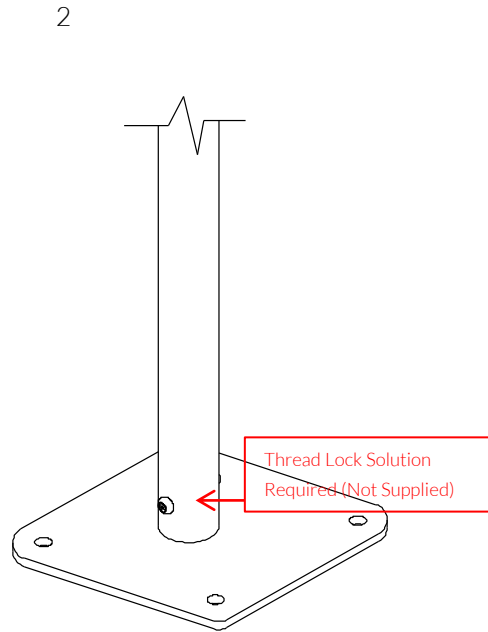
x1

M10x70 Security Screw

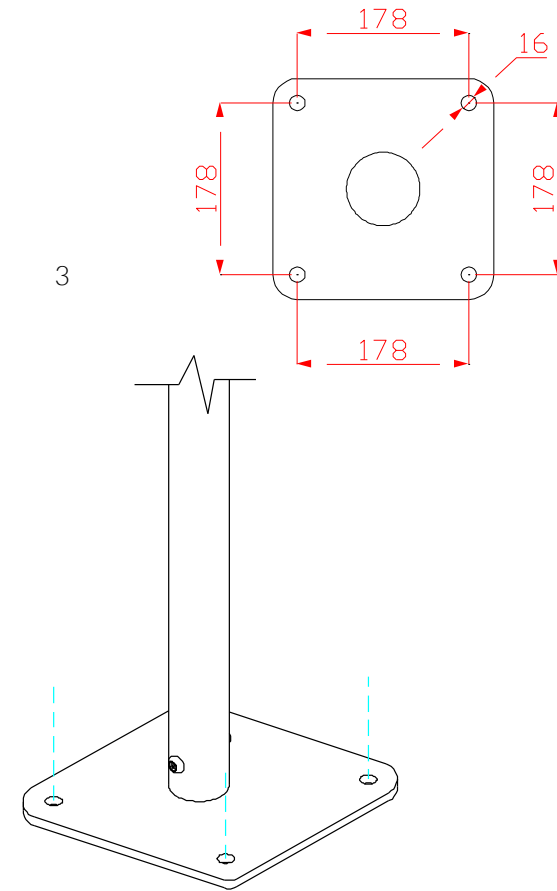
Thread Lock Solution  
Required (Not Supplied)



1  
Locate the Surface fix Plate into the leg of the instrument.



2  
Fix instrument to Surface fix plate using M10 bolt and Barrel Nut and use **thread locking solution** to prevent fixings working loose.



3  
Fix Surface Plate to the ground surface **Ground Anchors Not provided** cover fixings with caps provided



MADE IN  
BRITAIN

BSEN 1176

