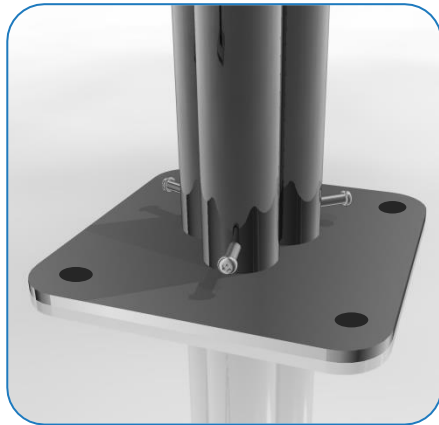


Installation Instructions

Surface Fixed

Harmony Bells
Page 1 of 3



Weight of heaviest part **8kg** (Large Bell)

1. Unpack ground fixing legs 3no.

2. Lay packaging out on floor or assemble on non-abrasive surface to prevent marking of polished stainless steel.

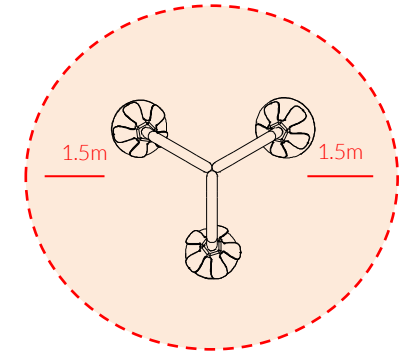
3. Align holes on legs to holes on surface fixing (opposite end to polished domes) and secure in place using 3no. M10 x 30mm Screws provided. Tools required TX 45 Driver Bit)

4. Invert assembled frame so Bells are at the top.

5. **Locate Bells** in desired location and mark holes to fix to desired surface.

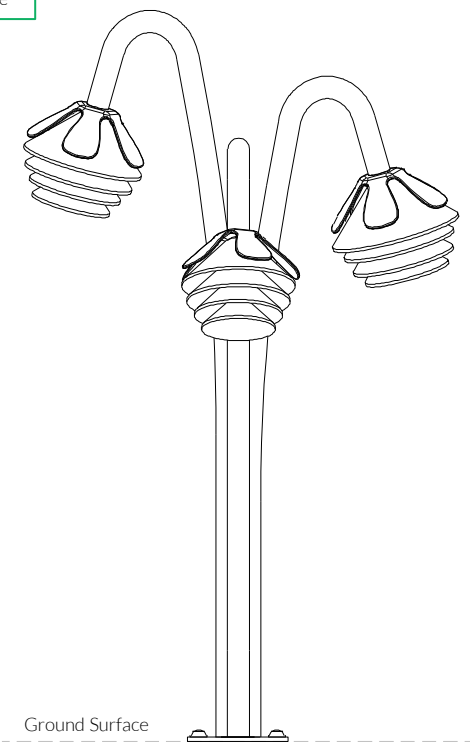
6. Fix to Surface using recommended ground anchors (**Ground Anchors are not supplied**)

7. Make sure all fixings are covered and secure using cover caps provided



Install Instrument with 1.5m free space (from widest point) around it.

1650mm from Plate

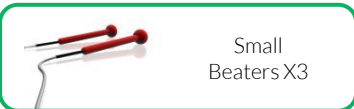


Ground Surface

Components:

-  x3
M10x30 Security Screw
-  x4
2 Part Cover Cap

Metric Conversion:
1650mm/ 64 61/64"
1.5m/ 59"



Small Beaters X3

Ground Anchors not supplied

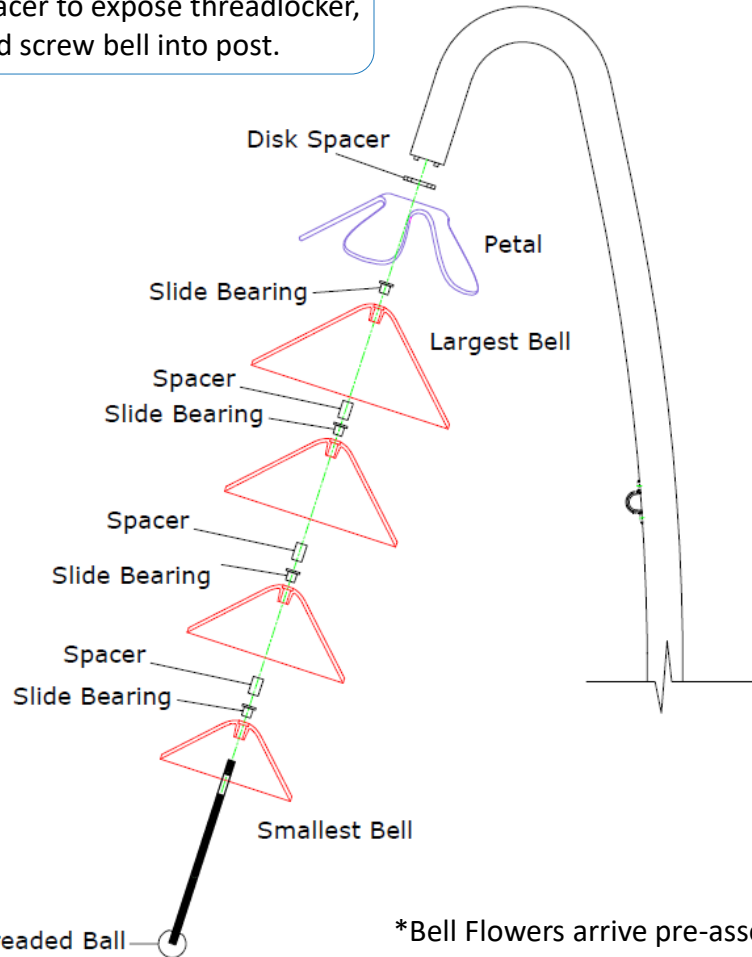


Spares available from percussionplay.com or from your local distributor

30 Kg

Installation Instructions

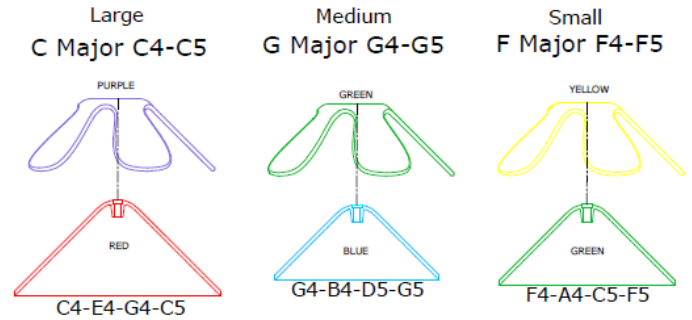
Remove nylon nut and 40mm spacer to expose threadlocker, and screw bell into post.



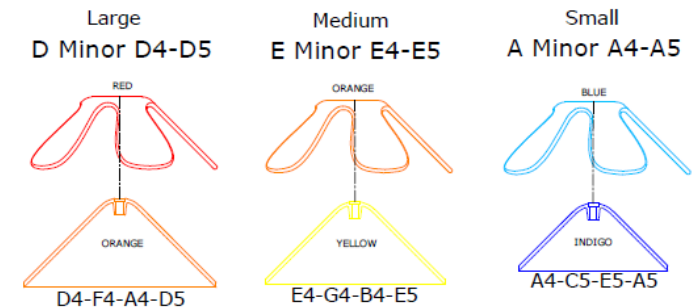
*Bell Flowers arrive pre-assembled.

PETAL & BELL COLOUR COMBINATIONS

Major Posy



Minor Posy



Surface Fixed

Harmony Bells
Page 2 of 3



Components:

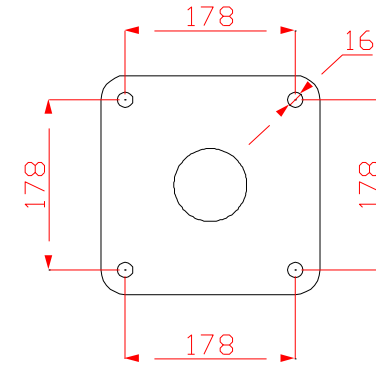


Small
Beaters X3



Tools:

 x1
TX 45 Driver Bit

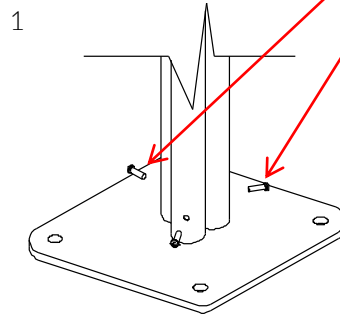


Surface Fixed

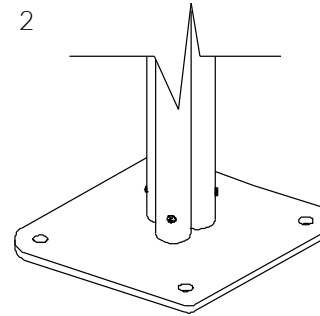
Harmony Bells
Page 3 of 3



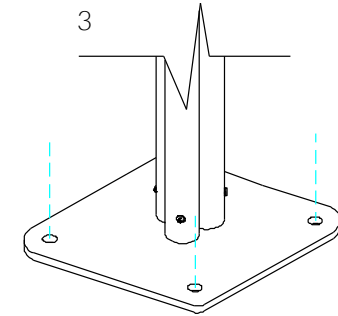
Thread Lock Solution
Required



1
Locate the Surface fix Plate into the leg of the instrument.



2
Fix instrument to Surface fix plate using M10 Screws and use **thread locking solution** to prevent fixings working loose.



3
Fix Surface Plate to the ground surface **Ground Anchors Not provided** cover fixings with caps provided

Components:



x3

M10x30 Security Screw



x4

2 Part Cover Cap

Thread Lock Solution
Required



Small
Beaters X3

Ground Anchors
not supplied



Spares available from
percussionplay.com or from your
local distributor

30 Kg