

# Installation Instructions

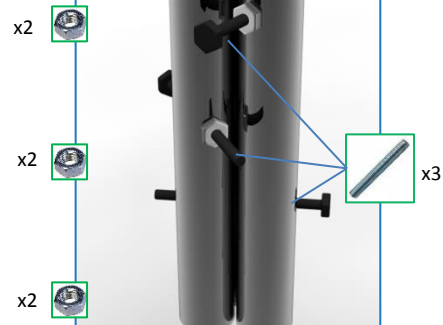
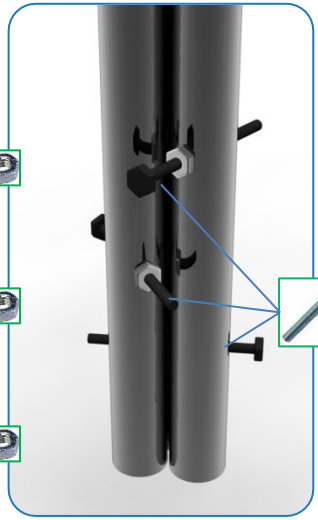
## Ground Fixed

Babel Drum  
Page 1 of 3



### Instrument Components:

Babel Drums are pre-assembled



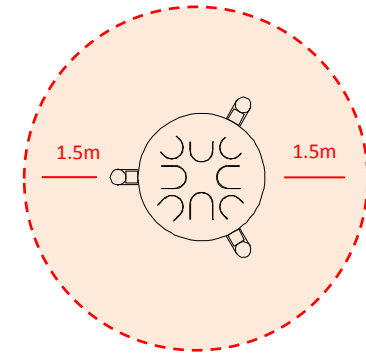
Weight of heaviest part **17.5kg** (Large Babel Drum)  
Weight of heaviest part **13.4kg** (Small Babel Drum)

**1. Using M10 nuts and 150mm bolts** supplied locate through pre drilled holes and secure bolts in place to support in ground pole in concrete. **3 bolts per leg** at 120 degree angles. ( See Assembly Guide)

**2. Excavate a hole** for the drum **200mm diameter** by **KS2-400/KS1-550mm** deep in desired location upon decision from customer.

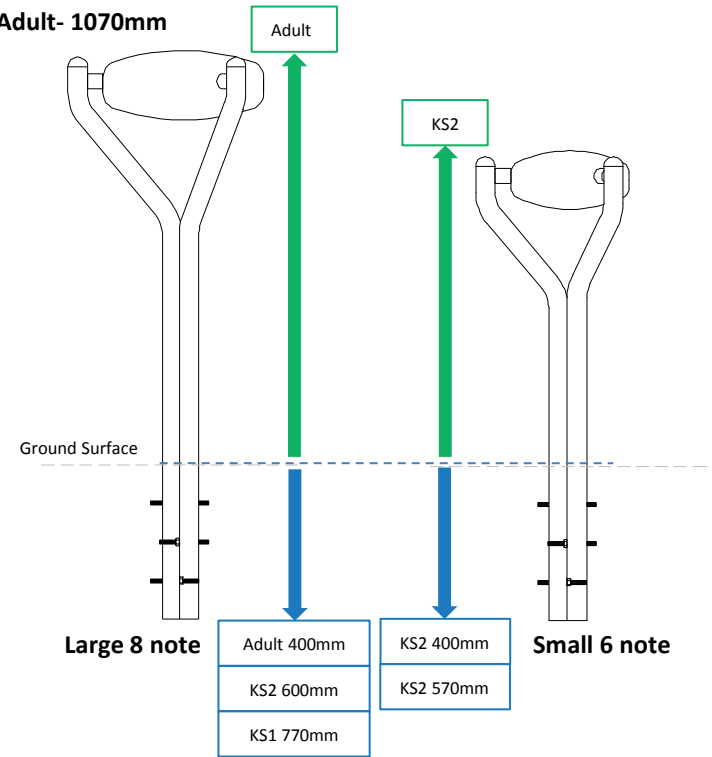
**3. Locate (lower) legs** into hole making sure they are vertical and level prior to concreting in place. Drum should be **650,800** from ground surface to top of drum ( **depending on Key Stage**).

**4. Once happy with location of the Drum, fill hole** using rapid hardening **concrete**. Be sure to compact concrete around legs and leave to dry according to manufactures guidelines.

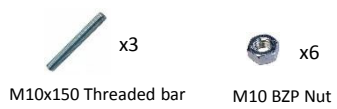


Install Instrument with 1.5m free space (from widest point) around it.

KS1 – 700mm  
KS2 – 870mm  
Adult- 1070mm



Ground Fix Components:



Spares available form [percussionplay.co.uk](http://percussionplay.co.uk) or from your local distributor

17.5 Kg  
13.4 Kg

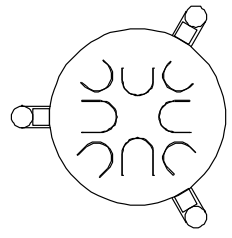
## Ground Fixed

Babel Drum  
Page 2 of 3

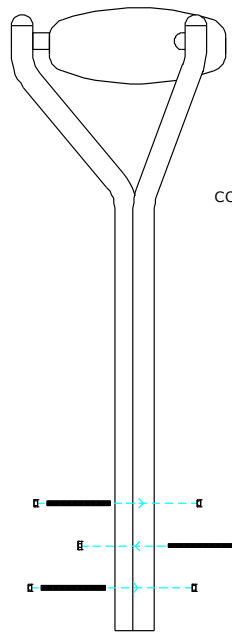


### Instrument Components:

Babel Drums are pre-assembled





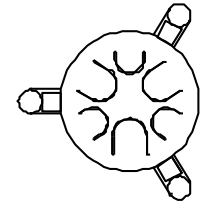
PPBDL PLAN



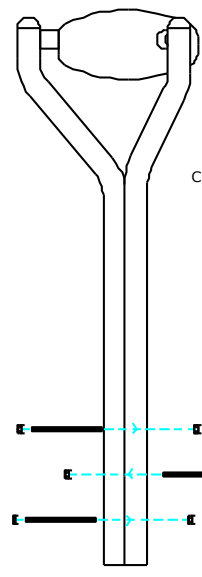
PPBDL FRONT

COMPONENTS LIST:

-  M10 Nut X6
-  M10x150 Threaded Bar X3





PPBDS PLAN



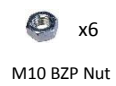
PPBDS FRONT

COMPONENTS LIST:

-  M10 Nut X6
-  M10x150 Threaded Bar X3



Ground Fix Components:



Spares available from  
[percussionplay.co.uk](http://percussionplay.co.uk) or from  
your local distributor

17.5 Kg  
13.4 Kg

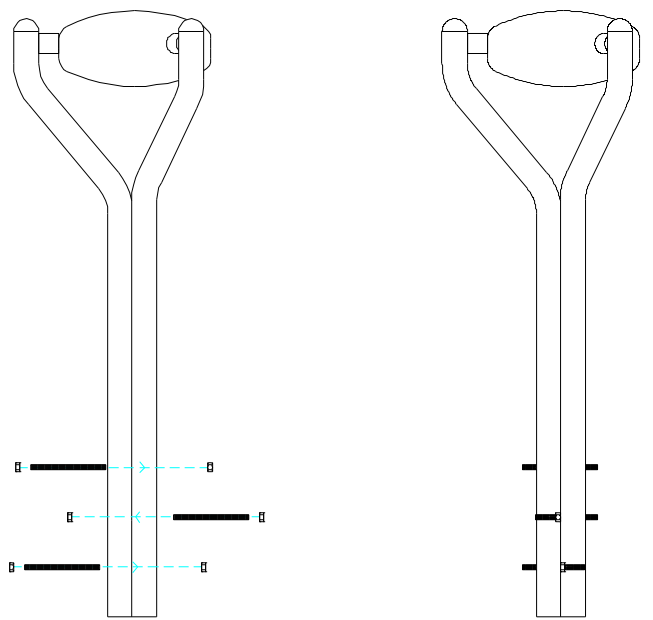
# Ground Fix Installation

## Ground Fixed

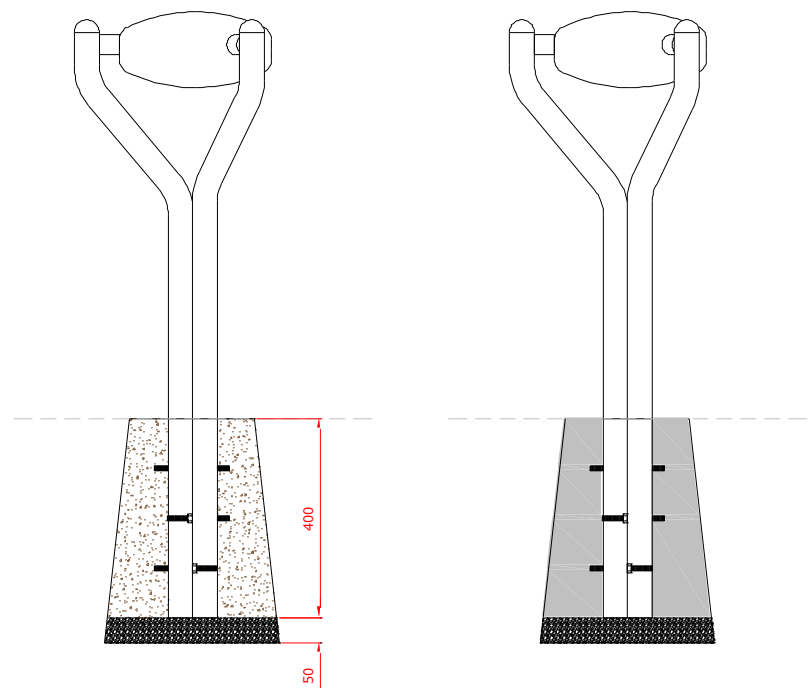
Babel Drum  
 Page 3 of 3



- 1 Insert M10x 150 Threaded bar into pre drilled holes in Frame of Babel Drum using M10 BZP Nuts
- 2 Excavate a holes with a 250mm diameter tapering down to 350mm diameter and 450mm depth



- 3 Compact base of hole with 50mm of aggregate. Lower ground Fix post attached to instrument into hole (check instrument straight and level before filling with concrete)
- 4 Fill hole with fast drying concrete to manufacturers specifications.



If Drum needs to be positioned lower a deeper hole can be excavated.

### Components:

-  x3  
M10x150 Threaded Bar
-  x6  
M10 BZP Nut